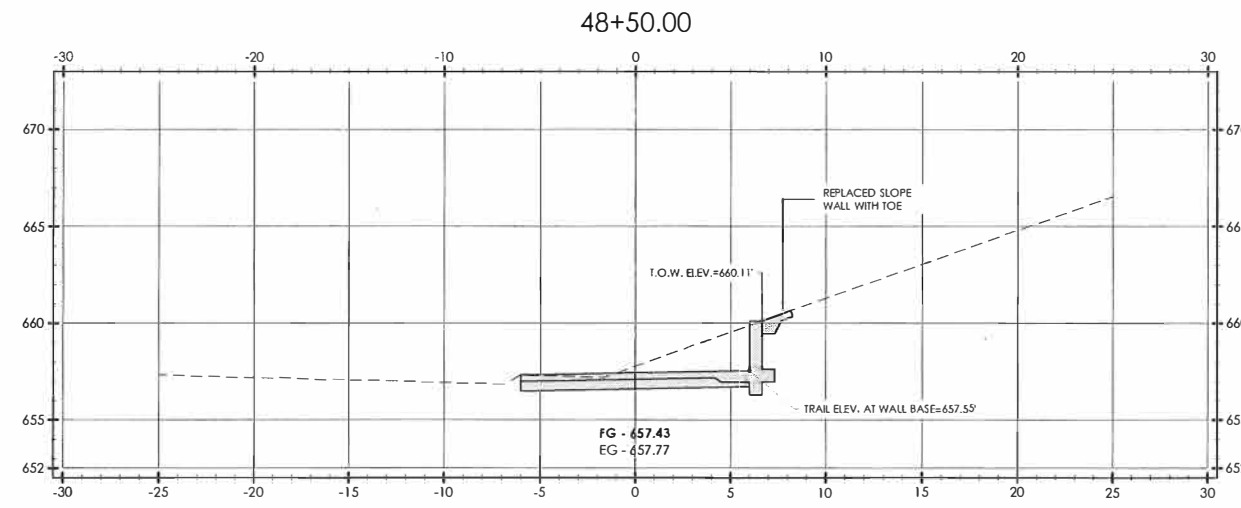
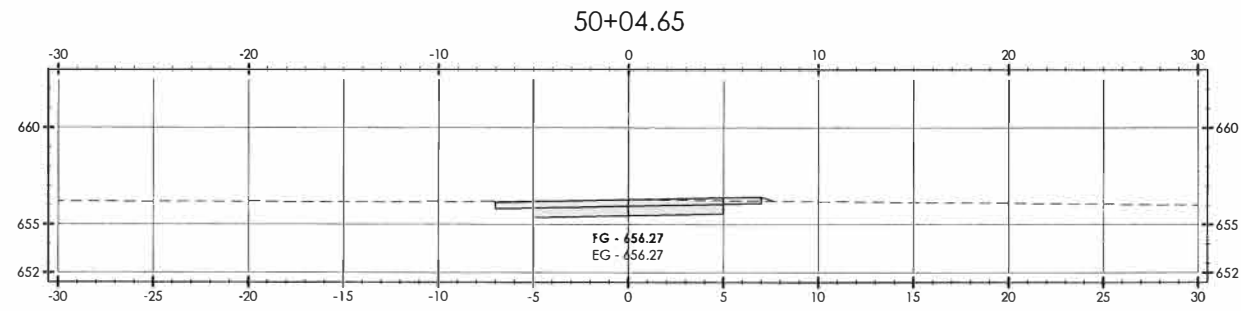


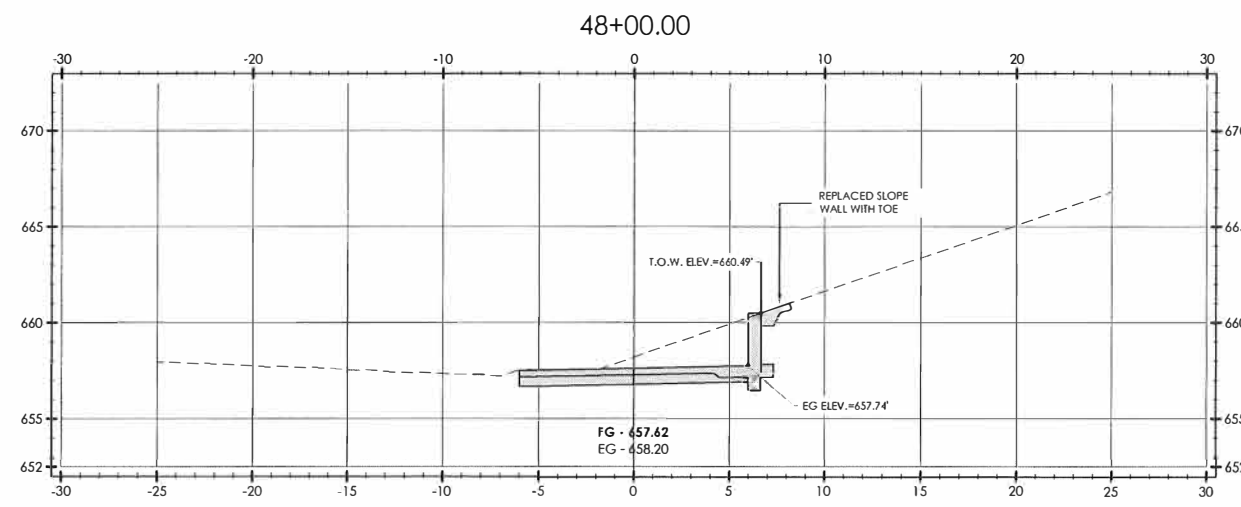
OKLAHOMA DEPARTMENT OF TRANSPORTATION					
FED. ROAD DIST. NO.	STATE	PROJ. NO.	FISCAL YEAR	SHEET NO.	TOTAL SHEETS
6	OKLA	2884(04)			
DESCRIPTION			REVISIONS	DATE	



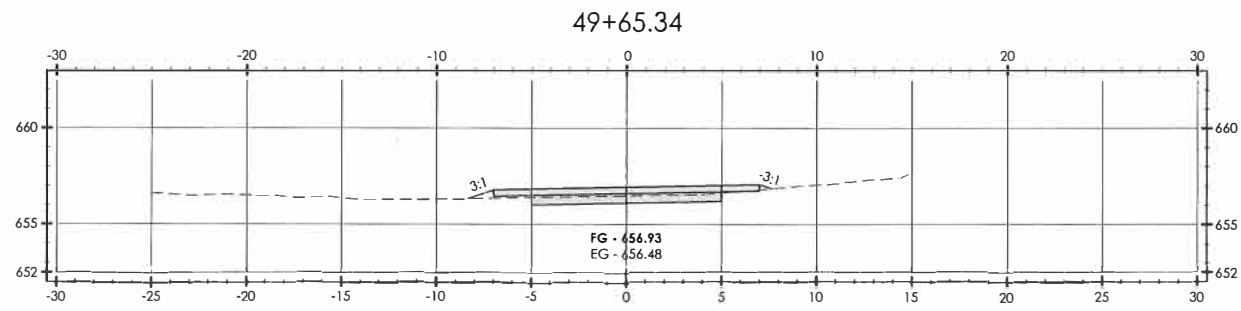
Trail Station 48+50.00	
Cut Area	19.10 SF
Cut Vol	37.65 CY
Fill Area	0.00 SF
Fill Vol	0.00 CY



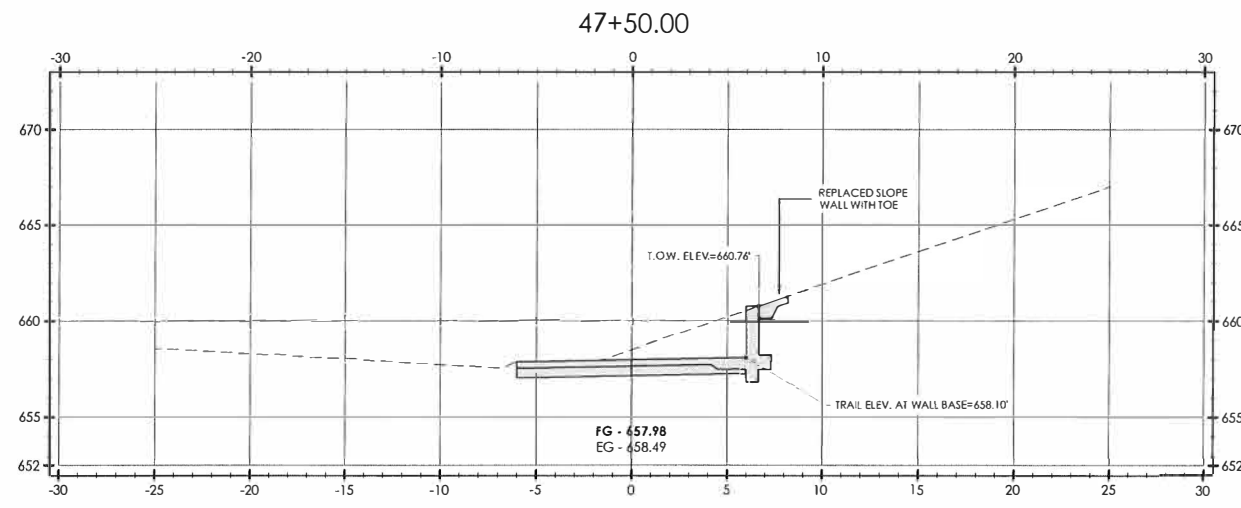
Trail Station 50+04.65	
Cut Area	9.59 SF
Cut Vol	12.61 CY
Fill Area	0.10 SF
Fill Vol	0.28 CY



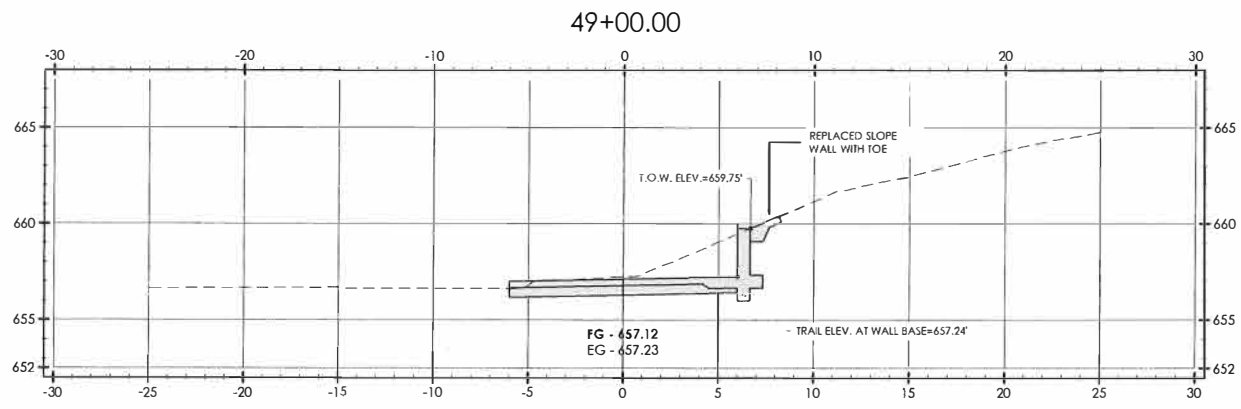
Trail Station 48+00.00	
Cut Area	21.56 SF
Cut Vol	39.25 CY
Fill Area	0.00 SF
Fill Vol	0.00 CY



Trail Station 49+65.34	
Cut Area	8.68 SF
Cut Vol	39.88 CY
Fill Area	0.26 SF
Fill Vol	0.42 CY

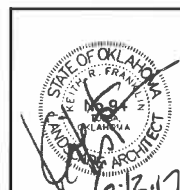


Trail Station 47+50.00	
Cut Area	20.84 SF
Cut Vol	32.87 CY
Fill Area	0.00 SF
Fill Vol	0.04 CY



Trail Station 49+00.00	
Cut Area	17.52 SF
Cut Vol	32.47 CY
Fill Area	0.00 SF
Fill Vol	0.00 CY

F:\582 Sand Springs Park Road Trail\Final\Civil 3D - Base Files\ParkRoadTrail-BASE1-Final-R1.dwg, 6/21/2017 1:51:22 PM



City of Sand Springs - Park Road Trail

Design	JM	7/16
Drawn	JM/BB	8/16
Checked	KF/JM	6/17
Approved		
Squad	LandPlan	

PREPARED BY  
**LANDPLAN CONSULTANTS**  
1100 N.W. 12th Street, Suite 100  
Tulsa, Oklahoma 74104

**CROSS SECTIONS SHEET (17)**

STATE JOB NO. 2884(04) Sheet No. 60 of 63